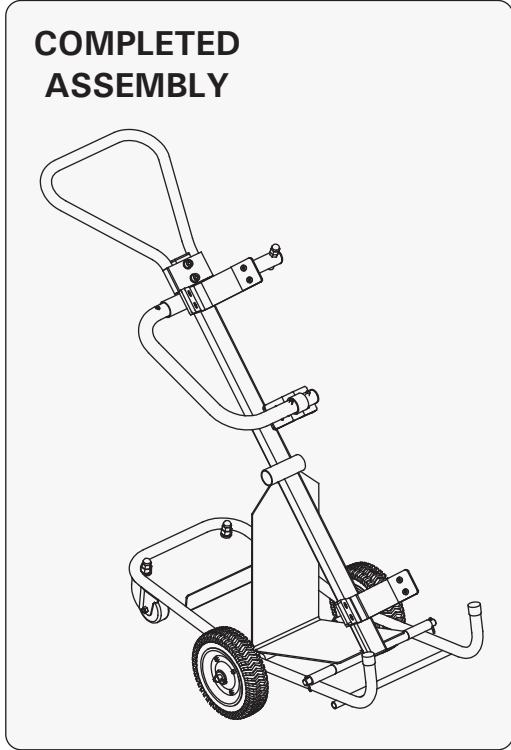
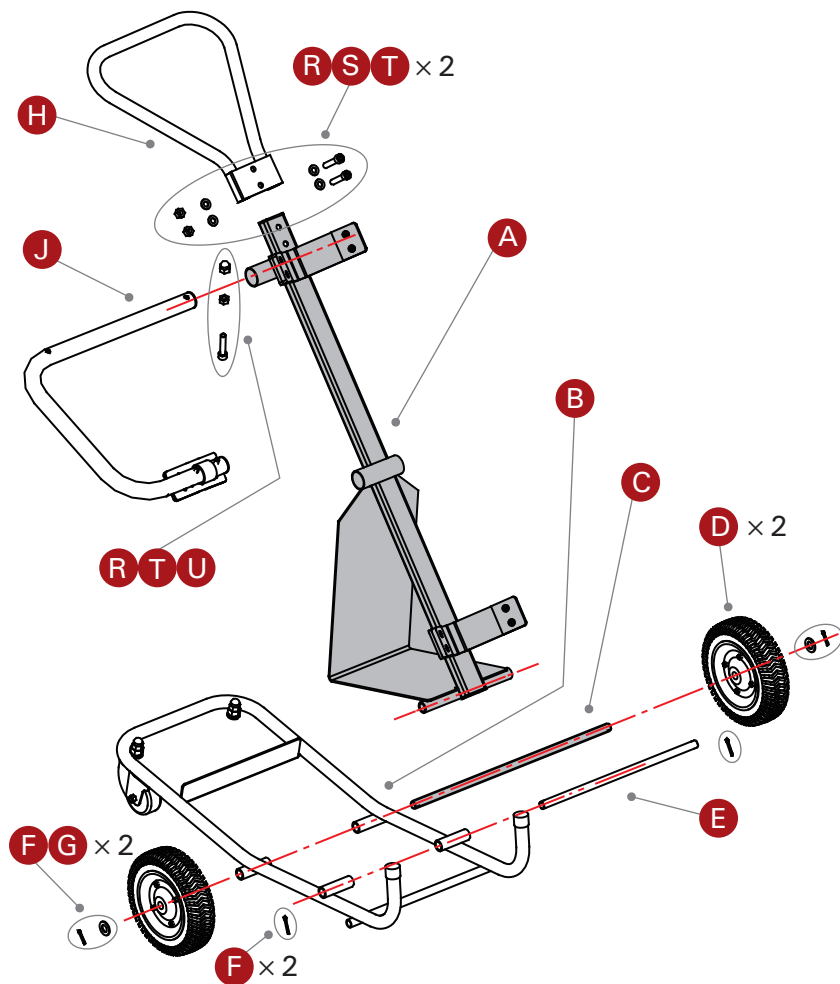


ASSEMBLY INSTRUCTIONS

CYLINDER CART P/N: GCC210

Safely Lift, Move, Place, & Store Heavy Gas Cylinders.

PART LIST



No.	Item	Qty	No.	Item	Qty
A	Main Body	1	H	Handle	1
B	Base Assembly	1	J	Hold J-bar	1
C	Shaft - Wheel	1	R	Socket Head Cap Screws M10 x 50	3
D	Casters	2	S	Washers Ø10	4
E	Link Tube	1	T	Jam Nuts M10	3
F	Retaining Pins Ø4	4	U	Nylon Cap Nut M10	1
G	Washers Ø14	2			